



TXMC



PRODUCT/ MANUAL VALVE

T2BV Series Thread Ball Valve

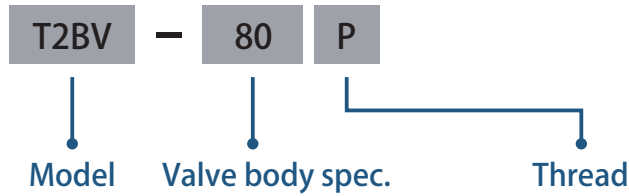
iso5211 Mounting pad



Specifications Characteristics

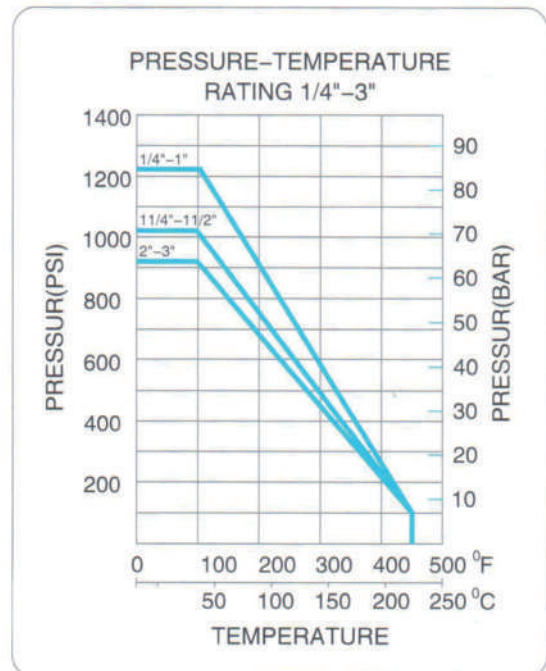
Model	T2BV series
Medium Temp.	-20°C - 150°C
ENV Temp.	Temp. -10 - 55°C ; Humidity. 10 - 90% RH
Pressure	0 - 1.0 Mpa
Valve body Mat.	Stainless steel 316
Bonnet Material	Stainless steel 316
Gasket Material	PTFE
Stem Material	Stainless steel 316
Seat Material	PTFE
Handle Material	SUS304+Plastic

How to select model



Thread	Diameter	DN	Code	Spec.	Code
	1/4"	8	08	PT	P
	3/8"	10	10	NPT	N
	1/2"	15	15		
	3/4"	20	20		
	1"	25	25		
	1-1/4"	32	32		
	1-1/2"	40	40		
	2"	50	50		
	2-1/2"	65	65		
3"	80	80			
4"	100	100			

Pressure - temperature Rating



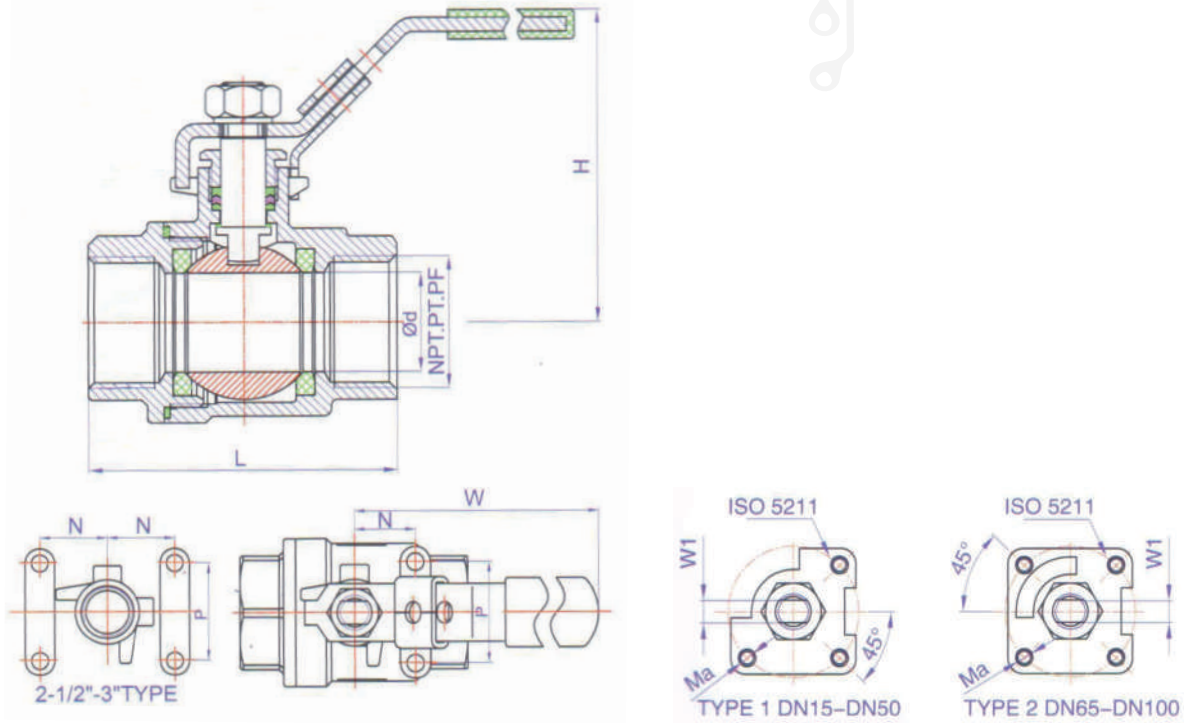


TXMC



PRODUCT/ MANUAL VALVE

Dimensions



Size	d	L	H	W	W1	Ma	ISO 5211	N	P	CV Factor	Torque (N.M)
1/4"	11.6	52	56	102	5.0	M5	F03	12.7	28.5	6.0	3.0
3/8"	12.7	52	56	102	5.0	M5	F03	12.7	28.5	7.0	3.0
1/2"	15	58	65	123	6.5	M5	F03	12.7	28.5	10	4.0
3/4"	20	67	68	123	6.5	M5	F03	21	35	25	7.5
1"	25	78	79	153	8.0	M5	F04	21	35	35	10
1-1/4"	32	90	84	153	8.0	M5	F04	23.5	38	46	12
1-1/2"	38	104	93	183	9.5	M6	F05	23.5	38	80	15
2"	50	127	99	183	9.5	M6	F05	23.5	38	110	25
2-1/2"	65	158	136	246	12.0	M8	F07	35	54	310	38
3"	80	187	146	246	12.0	M8	F07	35	54	360	72
4"	100	260	168	503	12.0	M8	F07			820	90

Unit : mm

